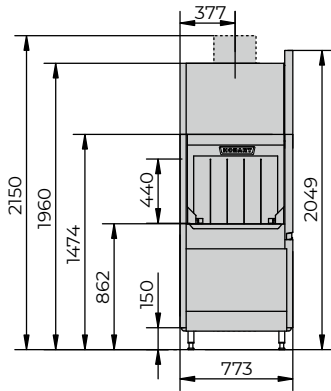
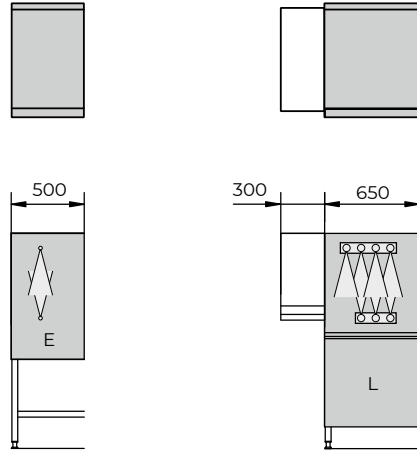


DRAWINGS / MODULE SELECTION

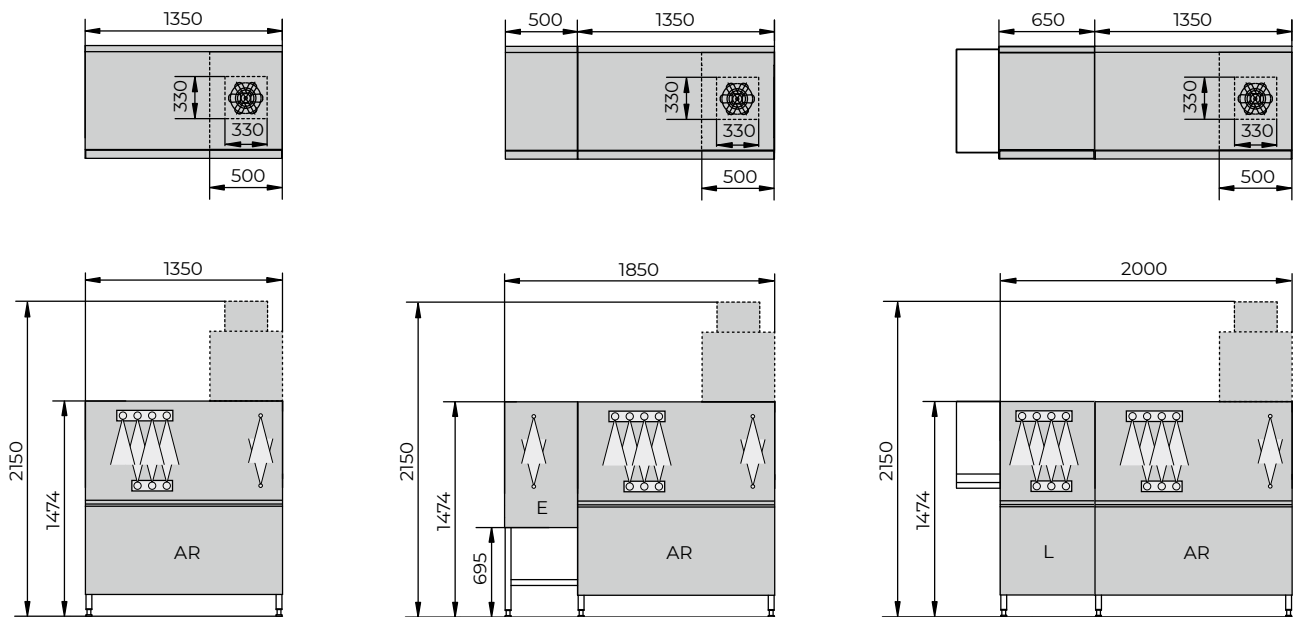
ENTRY SECTION



PRE-WASH ZONES



MAIN WASH ZONES / RINSE ZONES



TECHNICAL DATA

| PROFI CS | | | | | | |
|---------------------------|---------------------------|--------|--|-----------------------------|--------------------------|----------------------------|
| RACKS Maximum capacity | AVERAGE WATER CONSUMPTION | | ENERGY CONSUMPTION in kWh ^[1] (connected value in kW) for machines with heat recovery and drying zone | RECOMMENDED MODEL SELECTION | TOTAL LENGTH | |
| | in number/h | in l/h | | | in l/rack ^[2] | in mm, without drying zone |
| 50/80/120 | 160 | 1.3 | 21.4 (26.8) | CS-A | 1,350 | 2,200 |
| 70/100/150 | 180 | 1.2 | 22.6 (28.3) | CS-E-A | 1,850 | 2,700 |
| 100/135/200 | 200 | 1.0 | 24.9 (31.1) | CS-L-A | 2,000 | 2,850 |

All speeds: hygienic wash result based on DIN SPEC 10534

^[1] Average value with an exemplary set of covers and type of business

^[2] Ideal values

DRYING ZONES

